

Switching device combination - SOL-SC-1ST-0-DC-1MPPT-1001 - 2404298

Please be informed that the data shown in this PDF Document is generated from our Online Catalog. Please find the complete data in the user's documentation. Our General Terms of Use for Downloads are valid (<http://phoenixcontact.com/download>)



String combiner box for photovoltaic systems up to 1000 V DC for the connection of 1x 1 string. With surge protection and SUNCLIX DC connector for the input and output side.

Product Description

The Solarline string combiner boxes (SCBs) are used in both small rooftop systems and large ground-mounted systems. Their functions include collecting and protecting strings and, if necessary, separating the panels from the rest of the system by means of a fire service or switch disconnectors.

Why buy this product

- Fast installation and startup
- Large portfolio of string combiner boxes in stock
- Application-oriented consultation
- Standard-compliant switchgear and controlgear assembly, thanks to use of DIN EN 61439



Key Commercial Data

| | |
|--------------------------------------|---------------------------|
| Packing unit | 1 STK |
| GTIN | |
| GTIN | 4055626396231 |
| Weight per piece (including packing) | 5.000 kg |
| Custom tariff number | 85363030 |
| Country of origin | Germany |
| Sales Key | V1 - Terminl Blocks+Boxes |

Technical data

System parameter

| | |
|-------------------------|-------------------------|
| System voltage | 1000 V DC (U_{max}) |
| Number of string inputs | 1 |
| Current per string | 40 A (I_{max}) |
| Number of outputs | 1 |

Switching device combination - SOL-SC-1ST-0-DC-1MPPT-1001 - 2404298

Technical data

System parameter

| | |
|----------------------------------|---|
| Number of supported MPP trackers | 1 |
|----------------------------------|---|

Safety equipment

| | |
|--|---------------|
| Surge protective device | T1 / T2 |
| Protection level U_p | ≤ 3.5 kV |
| Total discharge current I_{total} (8/20) μ s | 40 kA |
| Total discharge current I_{total} (10/350) μ s | 5 kA |

Cable entry

| | |
|----------------------------------|---|
| Type of cable entry | SUNCLIX |
| Cable cross section string input | 2.5 mm ² ... 6 mm ² |
| Cable cross section output | 2.5 mm ² ... 6 mm ² |
| Cable cross section grounding | 16 mm ² (2x) |
| Sealing area grounding | 6 mm ... 12 mm (2x) |

General data

| | |
|----------------------|-----------------------------|
| Housing material | Polycarbonate |
| Material cover/door | Polycarbonate (transparent) |
| Degree of protection | IP65 |
| Protection class | II |

Dimensions

| | |
|--------------------|--------------------|
| Width | 130 mm |
| Height | 180 mm |
| Depth | 111 mm |
| Note on dimensions | Housing dimensions |

Ambient conditions

| | |
|---------------------------------|------------------|
| Ambient temperature (operation) | -20 °C ... 55 °C |
|---------------------------------|------------------|

Drawings

Schematic diagram



Connection of the protective grounding conductor

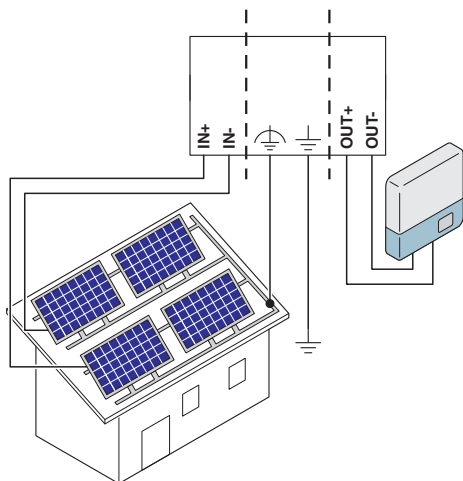
Schematic diagram



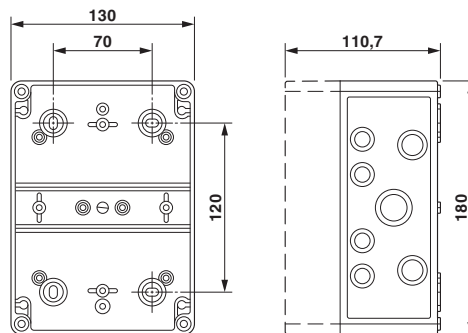
Connection of the protective equipotential bonding conductor

Switching device combination - SOL-SC-1ST-0-DC-1MPPT-1001 - 2404298

Connection diagram



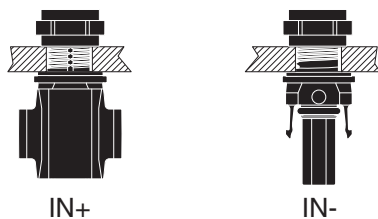
Dimensional drawing



Housing dimensions

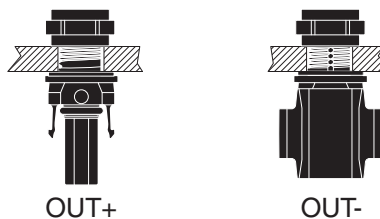
Schematic application drawing

Schematic diagram



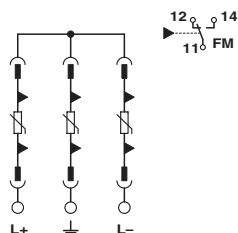
Connection of the PV string

Schematic diagram



Connection to the inverter

Circuit diagram



Connection of the remote indication contact on the surge protection